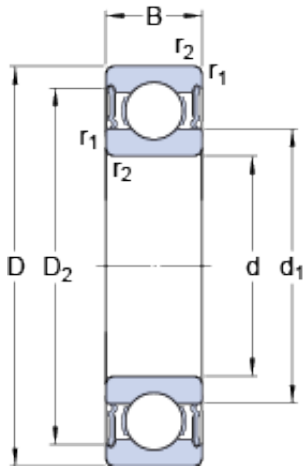




NTN bearing de Mexico, S.A.



28.575 mm x 63.5 mm x 15.875 mm skf RLS
9-2RS1 Deep groove ball bearings

Bearing No. RLS 9-2RS1

RLS 9-2RS1 Bearing 2D drawings and 3D CAD models

Size	63.5x28.575x15.875 mm
Bore Diameter	63,5 mm
Outer Diameter	28,575 mm
Width	15,875 mm
d	28.575 mm
D	63.5 mm
B	15.875 mm
d ₁	40.36 mm
D ₂	54.06 mm
r _{1,2} - min.	1.6 mm
d _a - min.	36 mm
d _a - max.	40.2 mm
D _a - max.	56 mm
r _a - max.	1.5 mm
Basic dynamic load rating - C	20.3 kN
Basic static load rating - C ₀	11.2 kN
Fatigue load limit - P _u	0.475 kN
Reference speed	24000 r/min
Limiting speed	7500 r/min
Calculation factor - k _r	0.025
Calculation factor - f ₀	14
Category	Single Row Ball Bearings
Inventory	0.0
Manufacturer Name	SKF



NTN bearing de Mexico, S.A.

Minimum Buy Quantity	N/A
Weight / Kilogram	0.231
Product Group	B00308
Enclosure	2 Seals
Precision Class	ABEC 1 ISO P0
Maximum Capacity / Filling Slot	No
Rolling Element	Ball Bearing
Snap Ring	No
Internal Special Features	No
Cage Material	Steel
Enclosure Type	Contact Seal
Internal Clearance	C0-Medium
Inch - Metric	Inch
Long Description	1-1/8" Bore; 2-1/2" Outside Diameter; 5/8" Outer Race Width; 2 Seals; Ball Bearing; ABEC 1 ISO P0; No Filling Slot; No Snap Ring; No Internal Special Features
Category	Single Row Ball Bearing
UNSPSC	31171504
Harmonized Tariff Code	8482.10.50.68
Noun	Bearing
Keyword String	Ball
Manufacturer URL	http://www.skf.com
Manufacturer Item Number	RLS 9-2RS1
Weight / LBS	0.509
Outside Diameter	2.5 Inch 63.5 Millimeter
Outer Race Width	0.625 Inch 15.875 Millimeter
Bore	1.125 Inch 28.575 Millimeter
d ₁	40.36 mm
D ₂	54.06 mm



NTN bearing de Mexico, S.A.

$r_{1,2}$ min.	1.6 mm
d_a min.	36 mm
d_a max.	40.2 mm
D_a max.	56 mm
r_a max.	1.5 mm
Basic dynamic load rating C	20.3 kN
Basic static load rating C_0	11.2 kN
Fatigue load limit P_u	0.475 kN
Calculation factor k_r	0.025
Calculation factor f_0	14
Mass bearing	0.23 kg