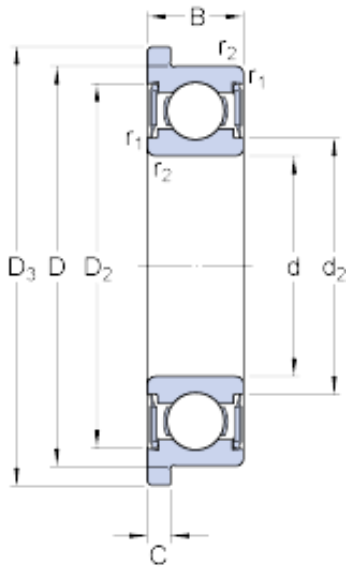




NTN bearing de Mexico, S.A.



W 628/9 R-2RS1 Bearing 2D drawings and 3D CAD models

9 mm x 17 mm x 5 mm skf W 628/9 R-2RS1 Deep groove ball bearings

Bearing No. W 628/9 R-2RS1

Size	17x9x5 mm
Bore Diameter	17 mm
Outer Diameter	9 mm
Width	5 mm
d	9 mm
D	17 mm
B	5 mm
d ₂	10.7 mm
D ₂	15.2 mm
D ₃	19 mm
C	1.1 mm
r _{1,2} - min.	0.2 mm
d _a - min.	10.4 mm
r _a - max.	0.2 mm
Basic dynamic load rating - C	0.761 kN
Basic static load rating - C ₀	0.335 kN
Fatigue load limit - P _u	0.014 kN
Limiting speed	24000 r/min
Calculation factor - k _r	0.02
Calculation factor - f ₀	7.7
d ₂	10.7 mm
D ₂	15.2 mm
D ₃	19 mm
r _{1,2} min.	0.2 mm



NTN bearing de Mexico, S.A.

d_a min.	10.3 mm
d_a max.	10.6 mm
r_a max.	0.2 mm
Basic dynamic load rating C	0.761 kN
Basic static load rating C_0	0.335 kN
Fatigue load limit P_u	0.014 kN
Calculation factor k_r	0.02
Calculation factor f_0	7.7
Mass bearing	0.0047 kg