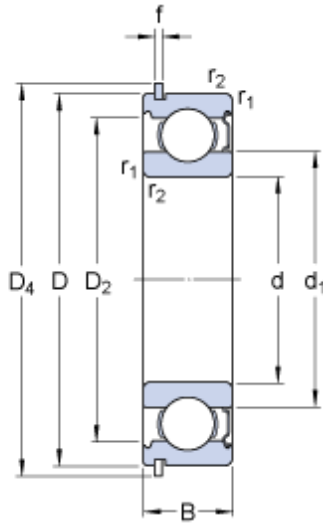
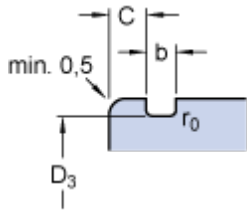




NTN bearing de Mexico, S.A.



25 mm x 62 mm x 17 mm skf 6305-ZNR Deep groove ball bearings

Bearing No. 6305-ZNR

6305-ZNR Bearing 2D drawings and 3D CAD models

Size	62x25x17 mm
Bore Diameter	62 mm
Outer Diameter	25 mm
Width	17 mm
d	25 mm
D	62 mm
B	17 mm
d ₁	36.6 mm
D ₂	52.7 mm
D ₃	59.61 mm
D ₄	67.7 mm
b	1.9 mm
C	3.28 mm
f	1.7 mm
r ₀	0.6 mm
r _{1,2} - min.	1.1 mm
d _a - min.	32 mm
d _a - max.	36.5 mm
D _a - max.	55 mm
D _b - min.	69 mm
b _a - min.	2.2 mm
C _a - max.	4.98 mm
r _a - max.	1 mm
Basic dynamic load rating - C	23.4 kN



NTN bearing de Mexico, S.A.

Basic static load rating - C_0	11.6 kN
Fatigue load limit - P_u	0.49 kN
Reference speed	24000 r/min
Limiting speed	16000 r/min
Calculation factor - k_r	0.03
Calculation factor - f_0	12
Mass bearing	0.237 kg
Category	Single Row Ball Bearings
Inventory	0.0
Manufacturer Name	SKF
Minimum Buy Quantity	N/A
Weight / Kilogram	0
Product Group	B00308
Enclosure	1 Metal Shield
Precision Class	ABEC 1 ISO P0
Maximum Capacity / Filling Slot	No
Rolling Element	Ball Bearing
Snap Ring	Yes
Internal Special Features	No
Cage Material	Steel
Internal Clearance	C0-Medium
Inch - Metric	Metric
Long Description	25MM Bore; 62MM Outside Diameter; 17MM Outer Race Width; 1 Metal Shield; Ball Bearing; ABEC 1 ISO P0; No Filling Slot; Yes Snap Ring; No Internal Special Features; C0-Medium Internal Clearance; Stee
Other Features	Deep Groove With Snap Ring
Category	Single Row Ball Bearing



NTN bearing de Mexico, S.A.

UNSPSC	31171504
Harmonized Tariff Code	8482.10.50.68
Noun	Bearing
Keyword String	Ball
Manufacturer URL	http://www.skf.com
Manufacturer Item Number	6305-ZNR
Weight / LBS	0.52
Outside Diameter	2.441 Inch 62 Millimeter
Outer Race Width	0.669 Inch 17 Millimeter
Inner Race Width	0 Inch 0 Millimeter
Bore	0.984 Inch 25 Millimeter
d_1	36.6 mm
D_2	52.7 mm
D_3	59.61 mm
D_4	67.7 mm
r_0 max.	0.6 mm
$r_{1,2}$ min.	1.1 mm
d_a min.	32 mm
d_a max.	36.5 mm
D_a max.	55 mm
D_b min.	69 mm
b_a min.	2.2 mm
C_a max.	4.98 mm
r_a max.	1 mm
Basic dynamic load rating C	23.4 kN
Basic static load rating C_0	11.6 kN
Fatigue load limit P_u	0.49 kN
Calculation factor k_r	0.03
Calculation factor f_0	12
Snap ring	SP 62