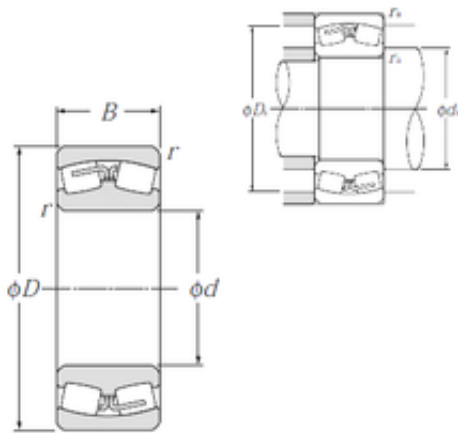




NTN bearing de Mexico, S.A.

750 mm x 1 090 mm x 250 mm NTN 230/750B Double row spherical roller bearings



Bearing No. 230/750B

230/750B Bearing 2D drawings and 3D CAD models

Size	750x1090x250 mm
Bore Diameter	750 mm
Outer Diameter	1090 mm
Width	250 mm
d	750 mm
D	1 090 mm
B	250 mm
C	250 mm
r min.	7,5 mm
da min.	786 mm
Da max.	1 054 mm
ra max.	6 mm
Weight	790 Kg
Basic dynamic load rating (C)	8 150 kN
Basic static load rating (C0)	18 300 kN
(Grease) Lubrication Speed	250 r/min
(Oil) Lubrication Speed	320 r/min
Calculation factor (e)	0,21
Calculation factor (Y0)	3,13
Calculation factor (Y1)	3,2
d2	863 mm
D1	990.9 mm
rs min	7.5 mm
b	33 mm
k	20 mm



NTN bearing de Mexico, S.A.

e	0.21
Y1	3.2
Y2	4.76
Y0	3.13
Radial clearance class	CN
Dynamic load, C	8,150 kN
Static load, C0	18,300 kN
Fatigue limit load, Cu	1,271 kN
Nref	310 rpm
Nlim	460 rpm
Min operating temperature, Tmin	-40 ° C
Max operating temperature, Tmax	120 ° C
Characteristic cage frequency, FTF	0.46 Hz
Characteristic rolling element frequency, BSF	10.8 Hz
Characteristic outer ring frequency, BPF0	13.64 Hz
Characteristic inner ring frequency, BRFI	16.36 Hz
da min	778 mm
Da max	1,062 mm
ra max	6 mm